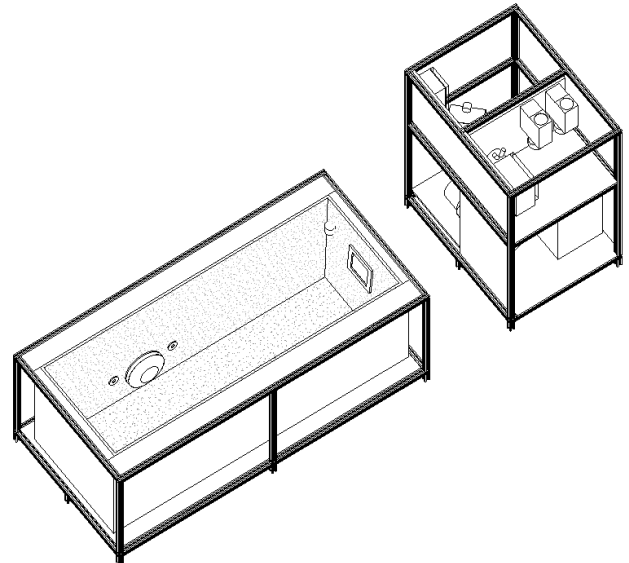
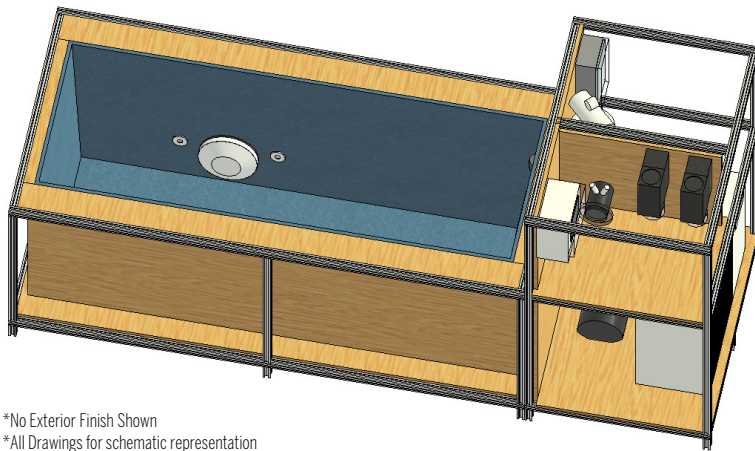


# JOE CHILL

ICE WORKS BATH CO



\*No Exterior Finish Shown  
\*All Drawings for schematic representation

## Size & Weight Specification:

|                      |   |
|----------------------|---|
| Exterior Dimensions: | 94 ½" L x 33 ½" W x 28 ½" H (tub) 45 ¾" H (Mechanical Box)* |
| Tub:                 | 69 ½" L x 33 ½" W x 28 ½" H                                 |
| Mechanical Box:      | 25" L x 33 ½" W x 45 ¾" H                                   |
| Interior Dimensions: | 64 ½" L x 23 ½" W x 23 ½" H                                 |
| Water Capacity:      | 118 Gallons (447L)  |
| Weight:              |   |
| Empty:               | 380 lbs.  |
| Full:                | 1350 lbs. plus the weight of the user                       |

\*Dimensions are approximate

## Standard Features:

- Tongue and groove Canadian Western Red Cedar cladding (Inquire for custom tub apron finishes available)
- Tub basin epoxy lined for comfort and durability
- Insulated tub basin
- Automated Chemical treatment control system
- Skimmer c/w two 10sq/ft cartridge filters
- Equipped with safety vacuum release system. VA-2000
- 1HP Commercial grade water chiller. High quality & anti corrosive industrial heat exchanger made of pure titanium
- When a 1.5hp chiller is used, the mechanical section will go from 33.5" wide to 45" wide
- Included electronic water level sensor and water leveler system (Default water level set to 18")
- Equipped with a digital microcomputer thermostat control
- Removable vented side panels for mechanical and tub box service access and ventilation
- Mechanical section of tub can be placed a maximum of 20ft from the tub basin
- When the tub section and mechanical section will be installed remote of each other, the tub section will be an extra 6" longer to accommodate the skimmer on the tub
- Temperature controllable down to 2° Celsius/36° Fahrenheit to 15° Celsius/60° Fahrenheit
- Insulated roll up tub basin cover included
- Designed for indoor use – Tub basin can be placed outside, mechanical section must be located indoors
- 1" drain and tub overflow protection. Note: Drain must be routed to floor drain
- Compliant to Class B Public Spa as per the Ontario Building Code
- 1 Year Warranty

