

THE RENEW

ICE WORKS BATH CO.



Size & Weight Specification:

Exterior Dimensions:	90-1/2" L x 36-1/4" W x 30" H (tub) 34" H Mechanical Box)*
Interior Dimensions:	58" L x 24" W x 24" H*
Access Door Size:	21 7/8" W x 26 1/8" H (Both sides of Mechanical Box)*
Water Capacity:	112 Gallons (265L)
Weight:	
Empty:	350 lbs.
Full:	1267 lbs. plus the weight of the user

*Dimensions are approximate

Standard Features:

- Premium handcrafted cedar exterior
- Tub basin lined for comfort and durability
- Advanced oxidation process (AOP) filtration system, UV Ozone
- Hose bib connection for draining
- Equipped with a digital thermostat control
- Removable vented side panels for mechanical box access and ventilation
- Removable mechanical box top
- Internal all in one chilling system
- Temperature controllable down to 2° Celsius/36° Fahrenheit to 15° Celsius/60° Fahrenheit
- Insulated roll up cedar cover
- Designed for indoor & outdoor use, tub MUST be protected from elements if using outdoors
- Tubs are suitable for personal residential use, for commercial applications contact info@iceworksbathco.ca
- 3 Year Warranty

Structural Requirements:

- Must be placed on a level floor
- Wood Frame Floors ; It is recommended to add wood blocking perpendicular to floor joists in feet locations
- Concrete Floors ; No changes are required
- Consult with a structural engineer/architect as needed for weight bearing capacity of existing site conditions
- Mechanical section of tub side of tub to have 6" clear space from wall, mechanical box end to have 12" clear space from wall

Electrical Requirements:

- Requires 15 amp - 115 volt service (Receptacle within 6' from center of mechanical box)
- 8' power cord length
- Ground Fault Protected (GFI) Included
- CSA, SPEC-1000-13 Field Evaluation Certified

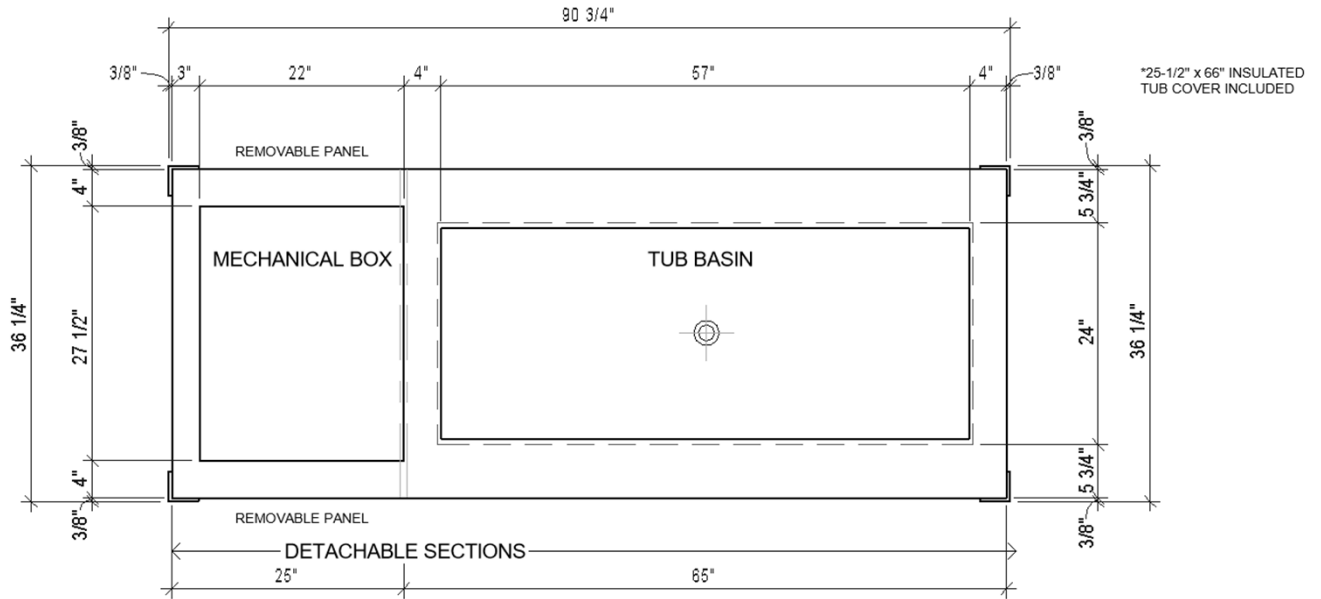
Plumbing Requirements:

- Hose bib connection for draining

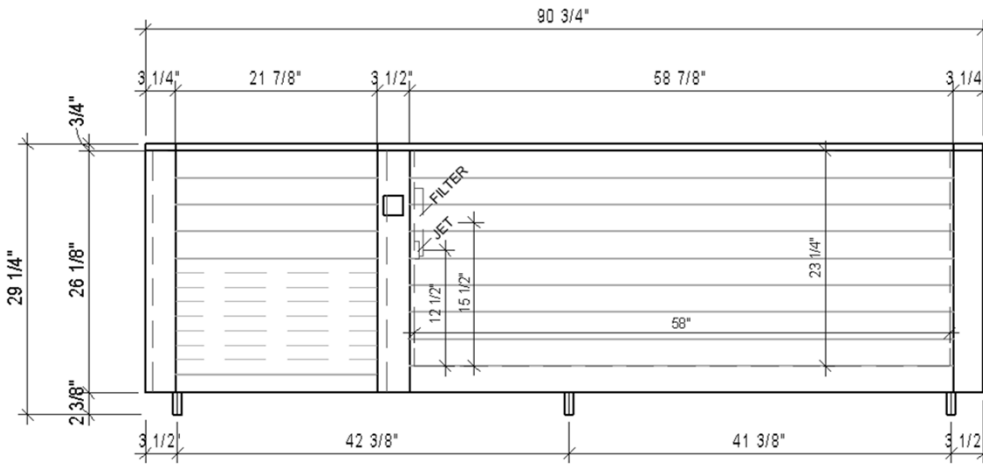


THE RENEW

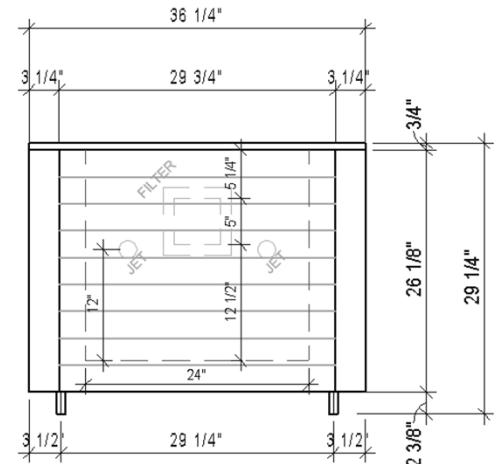
ICE WORKS BATH CO.



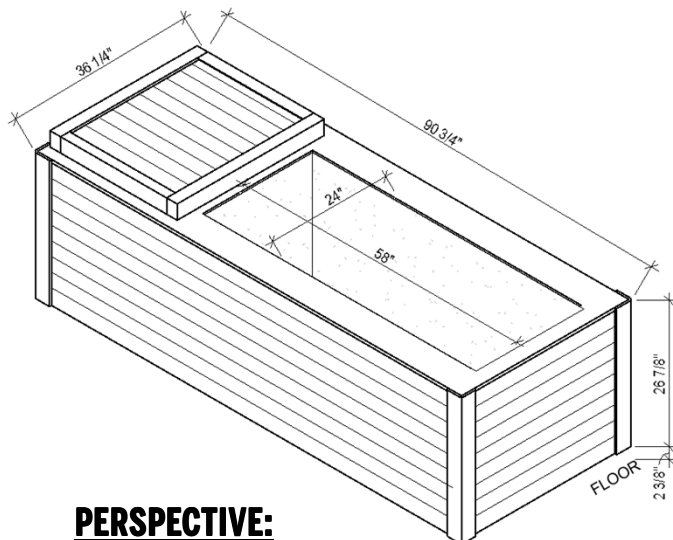
PLAN VIEW:



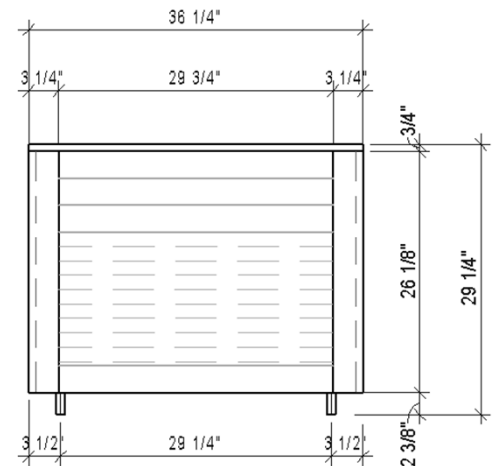
TYPICAL SIDE ELEVATION:



TUB SIDE ELEVATION:



PERSPECTIVE:



MECH BOX SIDE ELEVATION: