

THE RECOVERY

ICE WORKS BATH CO.



Size & Weight Specification:

| | |
|----------------------|---|
| Exterior Dimensions: | 78.5"L x 36-1/4"W x 30"H(tub) 34"H Mechanical Box)* |
| Interior Dimensions: | 46"L x 24"W x 24"H* |
| Access Door Size: | 21 7/8"W x 26 1/8"H (Both sides of Mechanical Box)* |
| Water Capacity: | 70 Gallons (265L) |
| Weight: | |

| | |
|--------|--------------------------------------|
| Empty: | 320 lbs. |
| Full: | 950 lbs. plus the weight of the user |

*Dimensions are approximate

Standard Features:

- Premium handcrafted cedar exterior
- Tub basin lined for comfort and durability
- Advanced oxidation process (AOP) filtration system, UV Ozone
- Hose bib connection for draining
- Equipped with a digital thermostat control
- Removable vented side panels for mechanical box access and ventilation
- Removable mechanical box top
- Internal all in one chilling system
- Temperature controllable down to 2° Celsius/36° Fahrenheit to 15°Celsius/60° Fahrenheit
- Insulated roll up cedar cover
- Designed for indoor & outdoor use, tub MUST be protected from elements if using outdoors
- Tubs are suitable for personal residential use, for commercial applications contact info@iceworksbathco.ca
- 1 Year Warranty

Structural Requirements:

- Must be placed on a level floor
- Wood Frame Floors ; It is recommended to add wood blocking perpendicular to floor joists in feet locations
- Concrete Floors ; No changes are required
- Consult with a structural engineer/architect as needed for weight bearing capacity of existing site conditions
- Mechanical section of tub side of tub to have 6" clear space from wall, mechanical box end to have 12" clear space from wall

Electrical Requirements:

- Requires 15 amp - 115 volt service (Receptacle within 6' from center of mechanical box)
- 8' power cord length
- Ground Fault Protected (GFI) Included
- CSA, SPEC-1000-13 Field Evaluation Certified

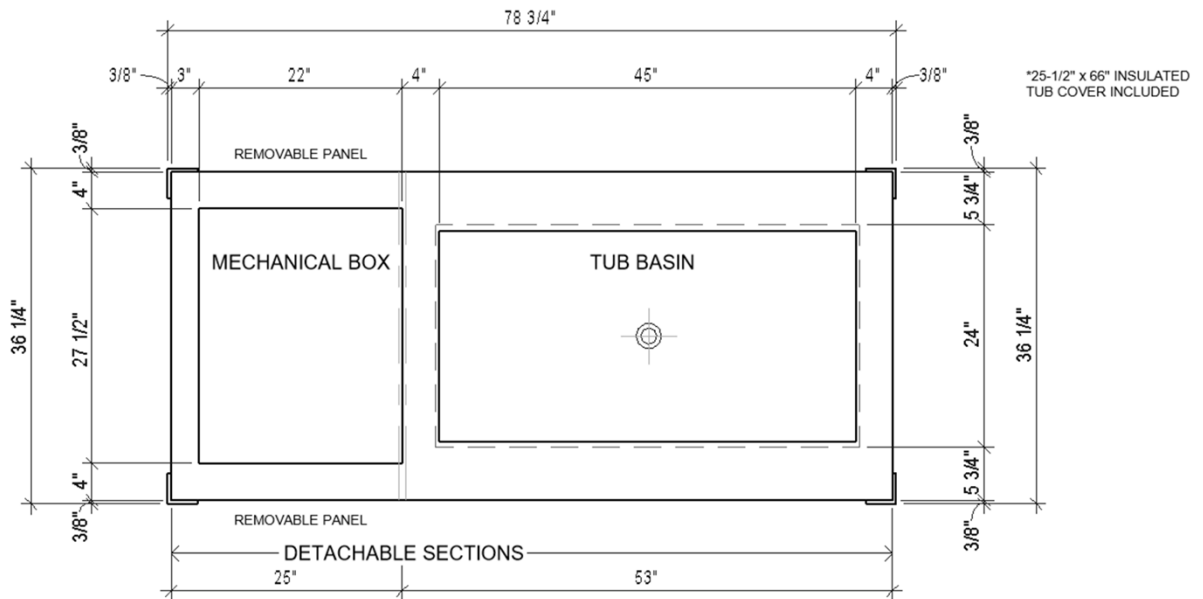
Plumbing Requirements:

- Hose bib connection for draining

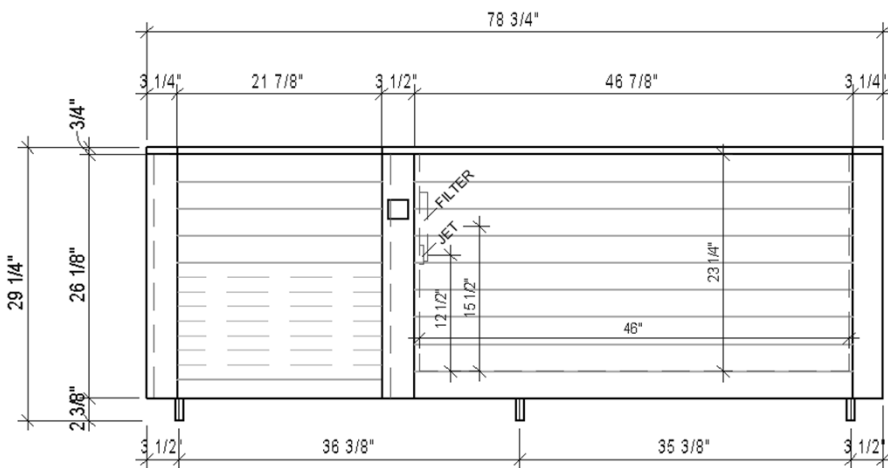


THE RECOVERY

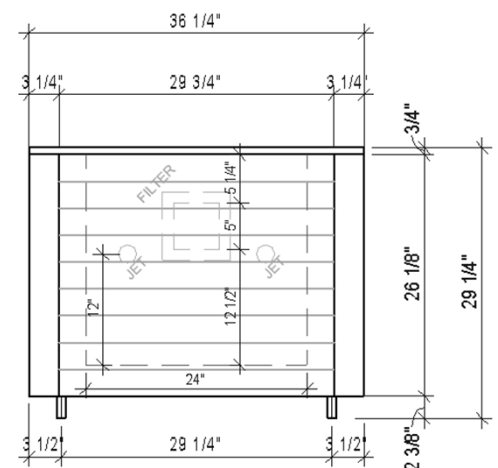
ICE WORKS BATH CO.



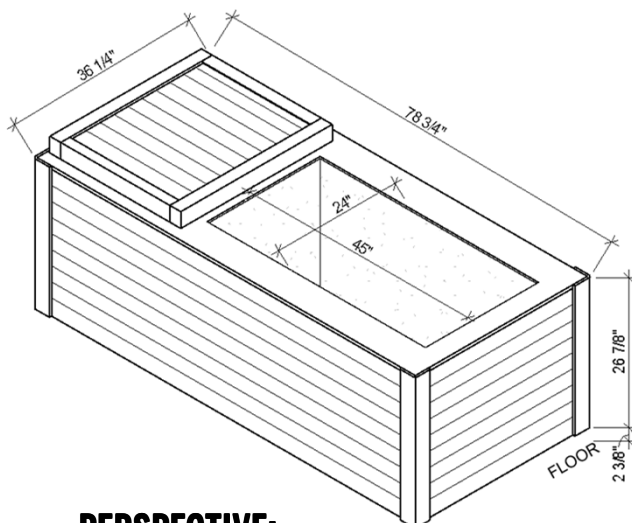
PLAN VIEW:



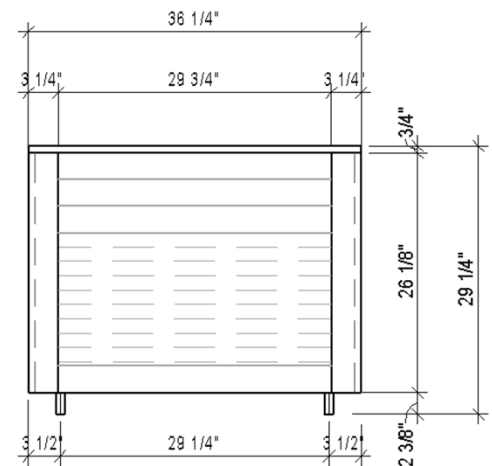
TYPICAL SIDE ELEVATION:



TUB SIDE ELEVATION:



PERSPECTIVE:



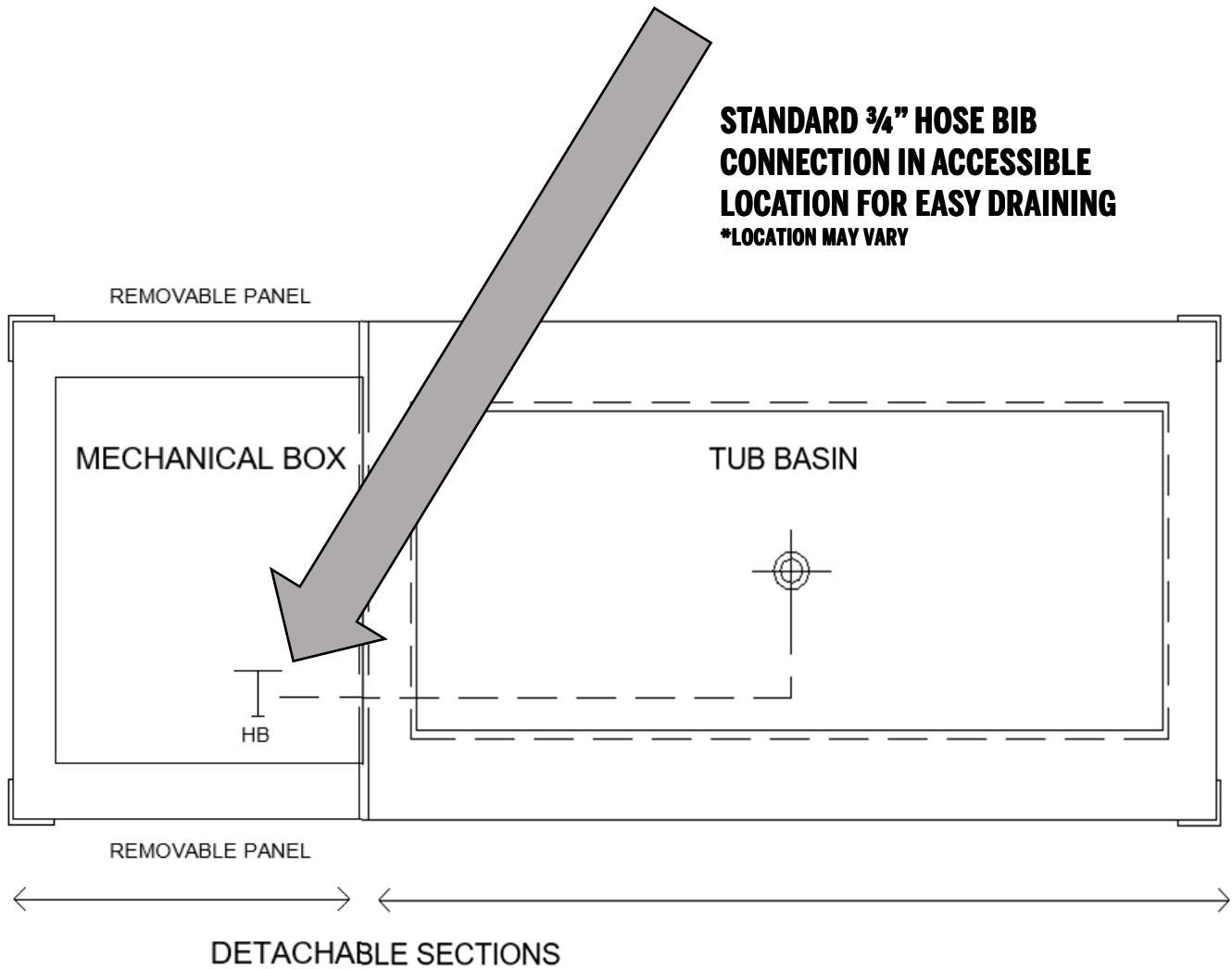
MECH BOX SIDE ELEVATION:

THE RECOVERY

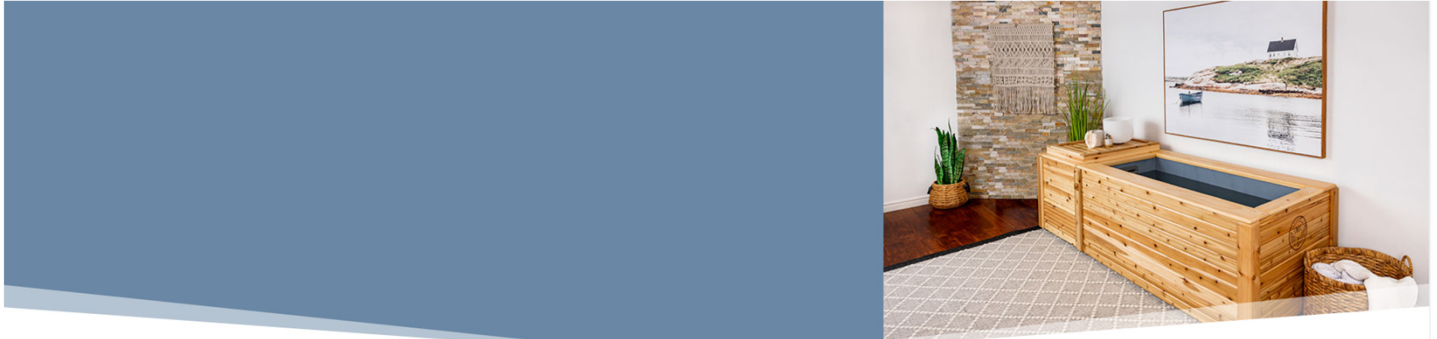
ICE WORKS BATH CO.



**STANDARD 3/4" HOSE BIB
CONNECTION IN ACCESSIBLE
LOCATION FOR EASY DRAINING
*LOCATION MAY VARY**



COLD TUB DRAINING SCHEMATIC:



COLD TUB DELIVERY NAVIGATION AND CLEARANCES

This document is to aid in the understanding of the space requirements of the Ice Works Bath cold tub to move the assembled bathtub through common spaces around the intended space.

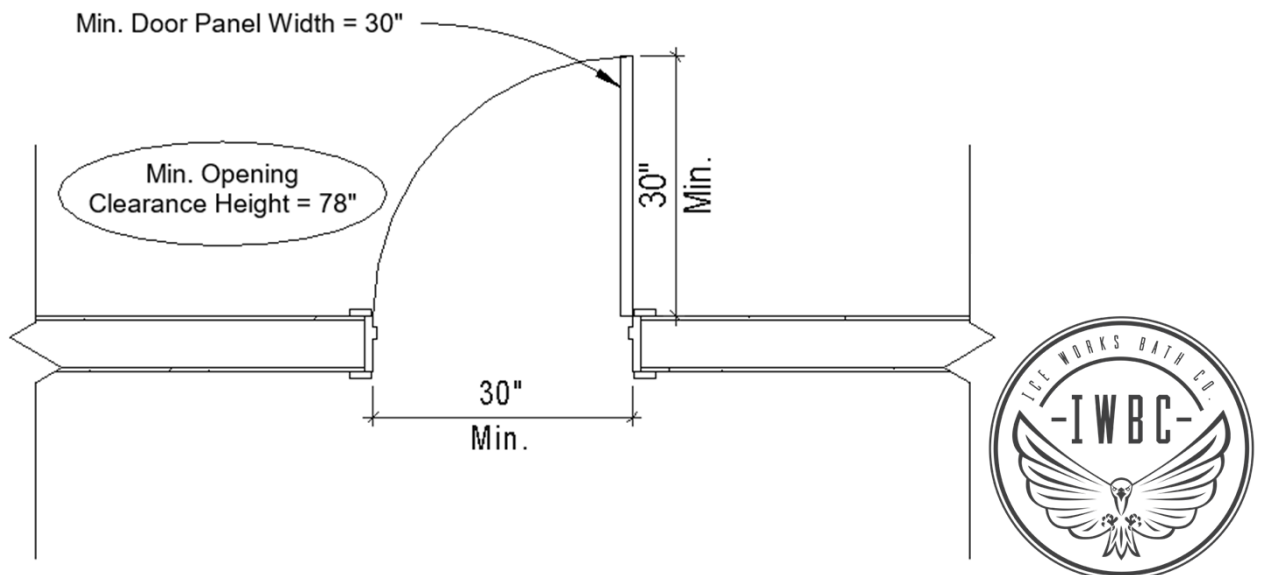
Prior to delivery of the Ice Works Bath Cold Tub, it is asked that fragile items are moved away from the path of travel. This includes artwork hanging on walls, small furniture pieces, mirrors and other accessories. It is recommended to clean and tidy the area prior to placement of the Ice-Bath tub unit.

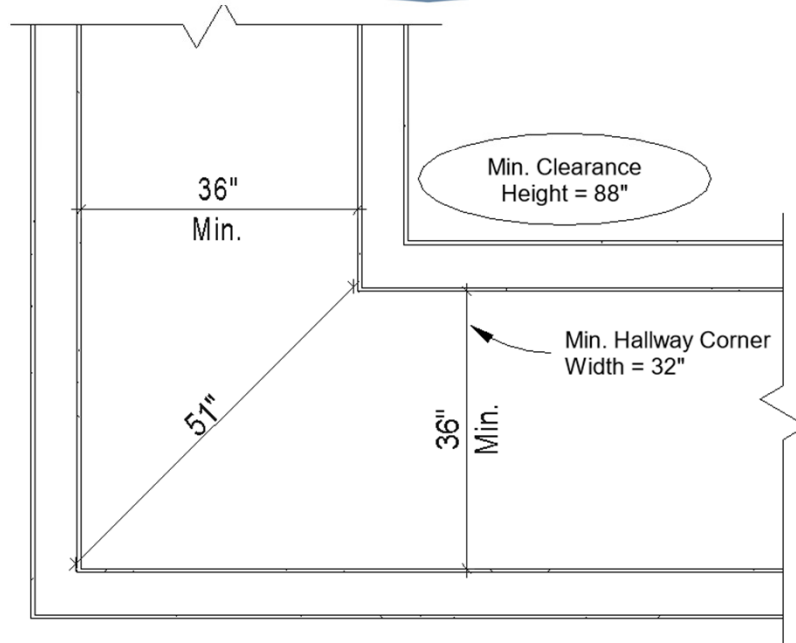
It is also asked that a Video and/or Photos are sent to Ice Works Bath Co. prior to orders for proper planning of deliveries.

If not all clearances shown in the following schematics, please contact Ice Work Bath Co. for delivery planning and preparation aid.

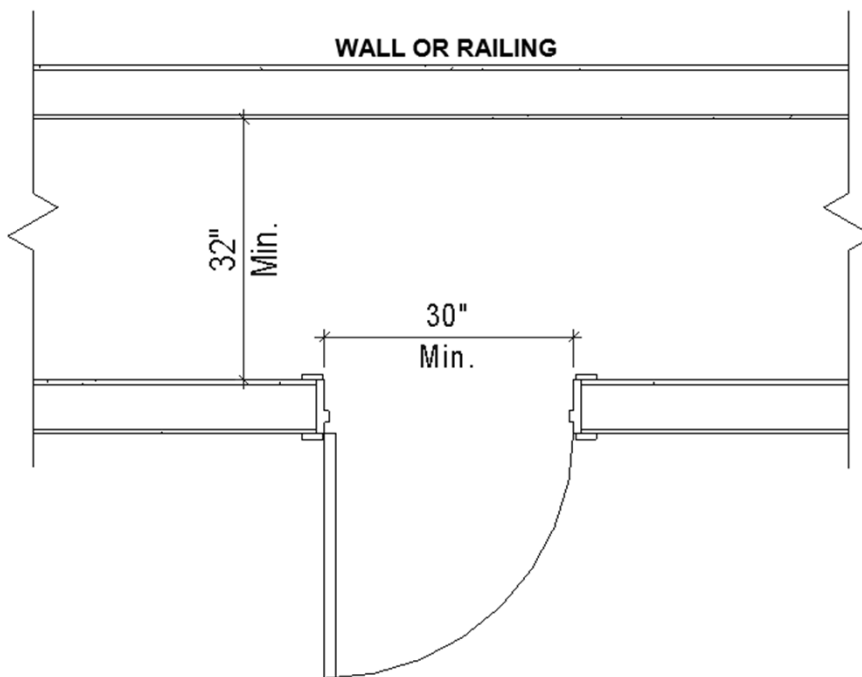
Doors & Gates:

It is recommended to begin the clearance verification process with the Doors and Gates. Navigating through doors and gates consistently proves to be the of the most narrow widths in the path of travel for delivery and placement of the tub.





HALLWAY CORNERS:



TURNING THROUGH DOORS:

